

TDM Switch Decom Acceleration

Steve Owens

AVP, Global Network & Technology

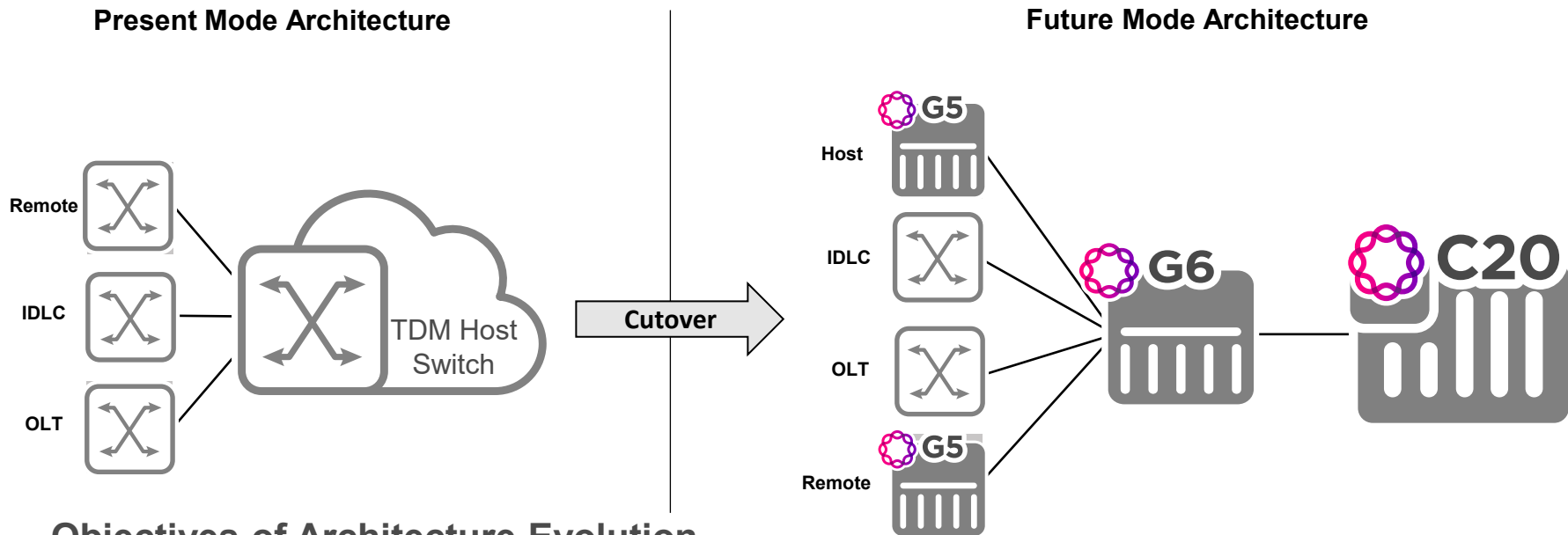
Verizon

ribbon
INSIGHTS

What's Driving Verizon's Investment in TDM Switch Decom?

- 1. Technical Space Recovery**
- 2. Power Reduction**
- 3. Network Reliability**
- 4. Climate Initiatives**

Architecture Evolution

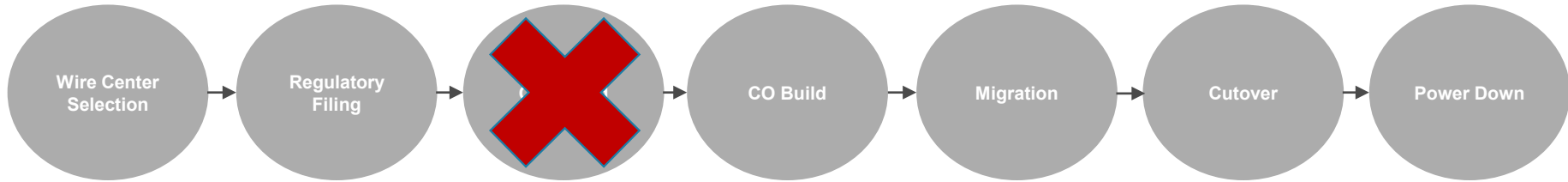


Objectives of Architecture Evolution

1. Cost optimization and efficiency
2. Voice Network infrastructure modernization
3. TDM Switch decom interval compression and acceleration

Switch Cutover Process Evolution

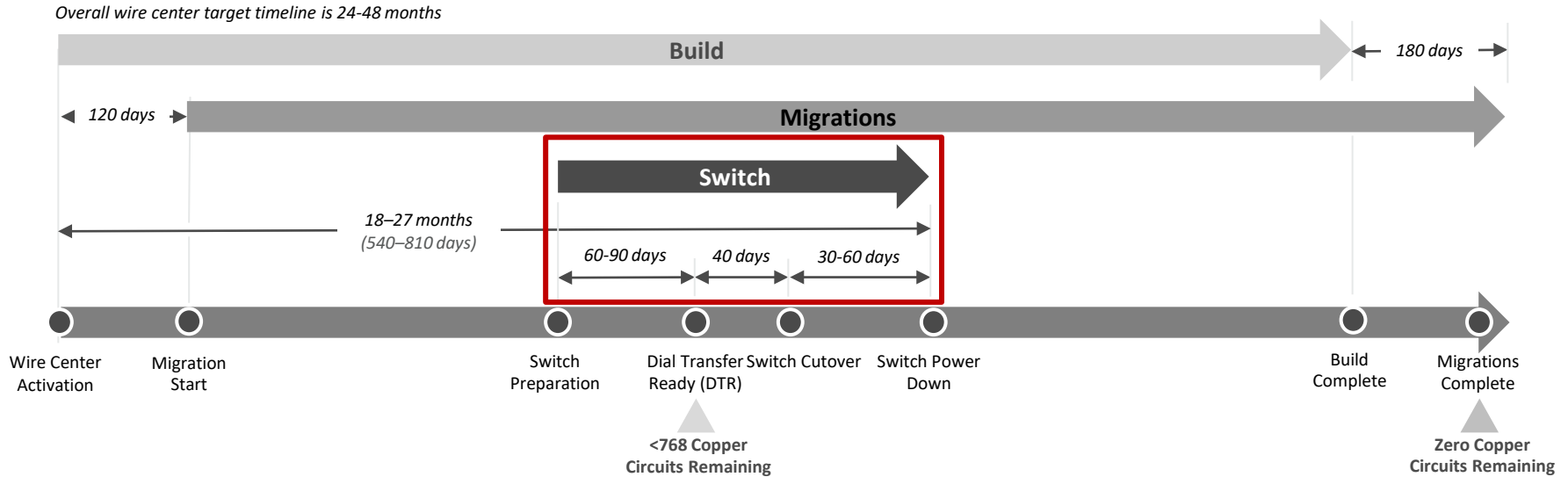
High Level TDM Switch Decom Process



Key Points

1. The TDM Switch decom process consists of 7 steps in the present mode of operation
2. Alignment with Architecture evolution objectives required process simplification

Switch Cutover Interval Evolution



Highlights

1. Present mode process and intervals - OSP driven (18 - 48 month switch decom intervals)
2. Future mode process and intervals - Switch driven (6 - 12 month switch decom intervals)

Key Takeaways

- 1. Verizon-Ribbon Partnership Key to Success**
- 2. Architecture & Process Evolution on Critical Path**
- 3. TDM Switch Decom Acceleration Underway**

Thank You

ribbon[®]
INSIGHTS

